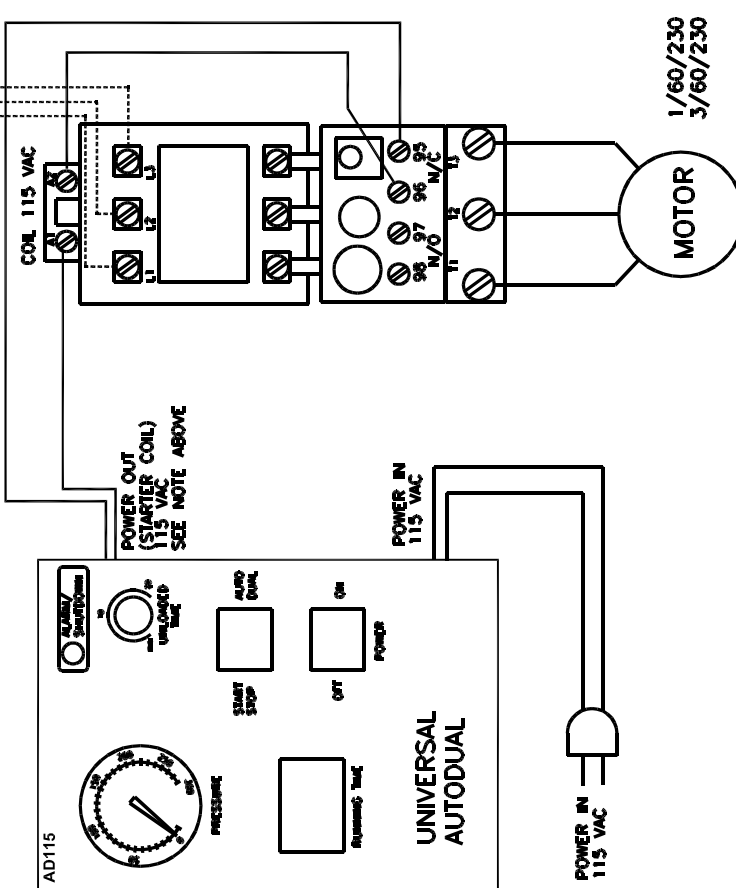


IMPORTANT !!
 STARTER COIL MUST BE SPECIFIED AS
 115 VOLTS A.C.
 MISMATCH OF INPUT VOLTAGE & COIL
 VOLTAGE WILL DAMAGE EQUIPMENT
 AND VOID AUTODUAL AND STARTER WARRANTY

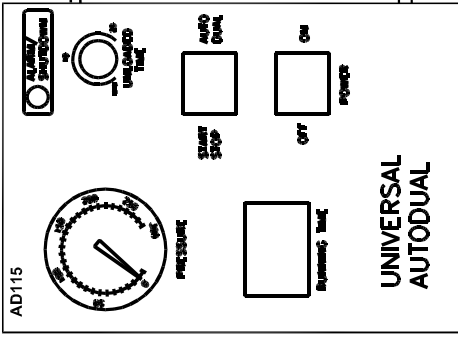
FROM MAIN POWER
 DISCONNECT BOX
 MAIN POWER IN
 TO STARTER
 230/460VAC 3Ø
 OR
 115/230 1Ø
 SEE NOTE



**AUTODUAL WIRING - 115VAC 1Ø OR 3Ø
 W/ 115VAC STARTER COIL
 W/O CONTROL VOLTAGE TRANSFORMER**

STANDARD PNEUMATIC PRODUCTS
 31 SHEPARD HILL RD. NEWTOWN, CT.U.S.A. 203-270-1400 203-270-3881 FAX WWW.STDPNEUMATICS.COM

IMPORTANT !!
 STARTER COIL MUST BE SPECIFIED AS
 115 VOLTS A.C.
 MISMATCH OF CONTROL VOLTAGE & COIL
 SETTINGS WILL DAMAGE EQUIPMENT
 AND VOID AUTODUAL AND STARTER WARRANTY
 SEE CONTROL VOLTAGE TRANSFORMER
 JUMPER SETTINGS BELOW

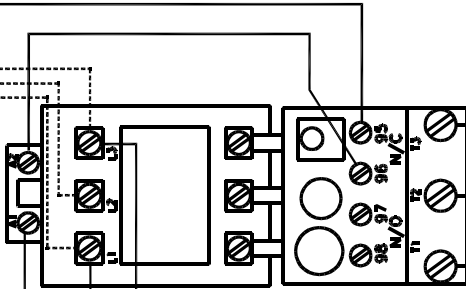


AD115
 POWER OUT
 (STARTER COIL)
 115 VAC
 SEE NOTE ABOVE

POWER IN
 115 VAC

FROM MAIN POWER
 DISCONNECT BOX
 MAIN POWER IN
 TO STARTER
 230/460VAC 3Ø
 SEE NOTE

COIL 115 VAC



230V PRIMARY
 TERM. JUMPER
 FOR 230VAC 3Ø
 MAIN INPUT POWER

460V PRIMARY
 TERM. JUMPER
 FOR 460VAC 3Ø
 MAIN INPUT POWER

CONTROL
 VOLTAGE
 TRANSFORMER
 115V OUT SECONDARY

**AUTODUAL WIRING - 230/460VOLTS/3 PHASE
 W/ 115VAC STARTER COIL
 WITH CONTROL VOLTAGE TRANSFORMER**

WIRING DIAGRAM - AD115