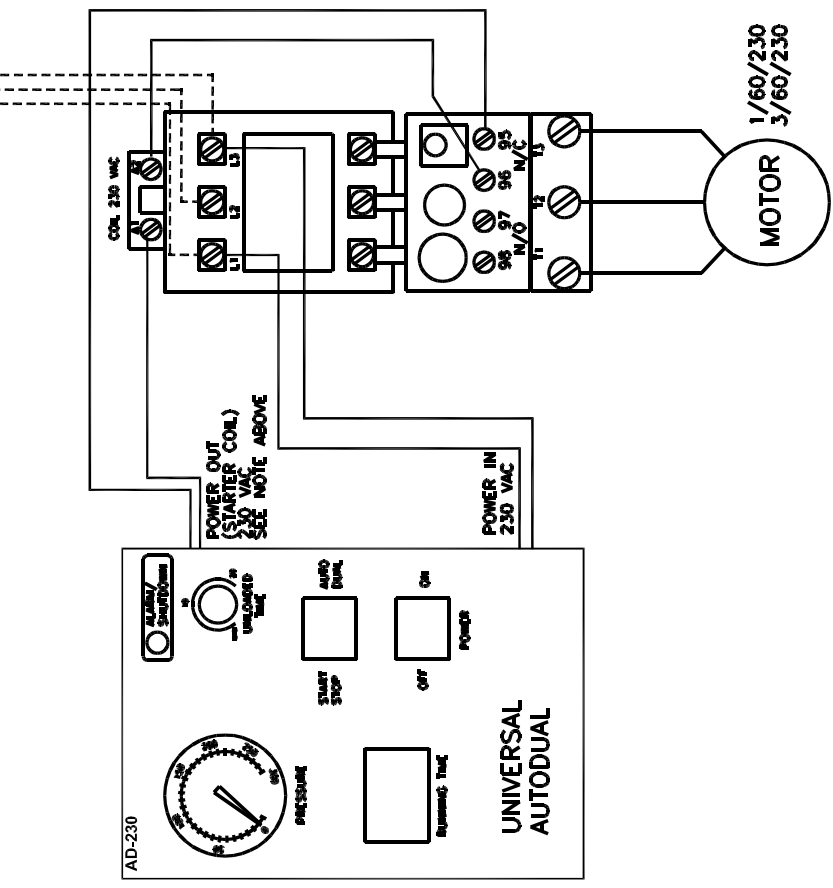


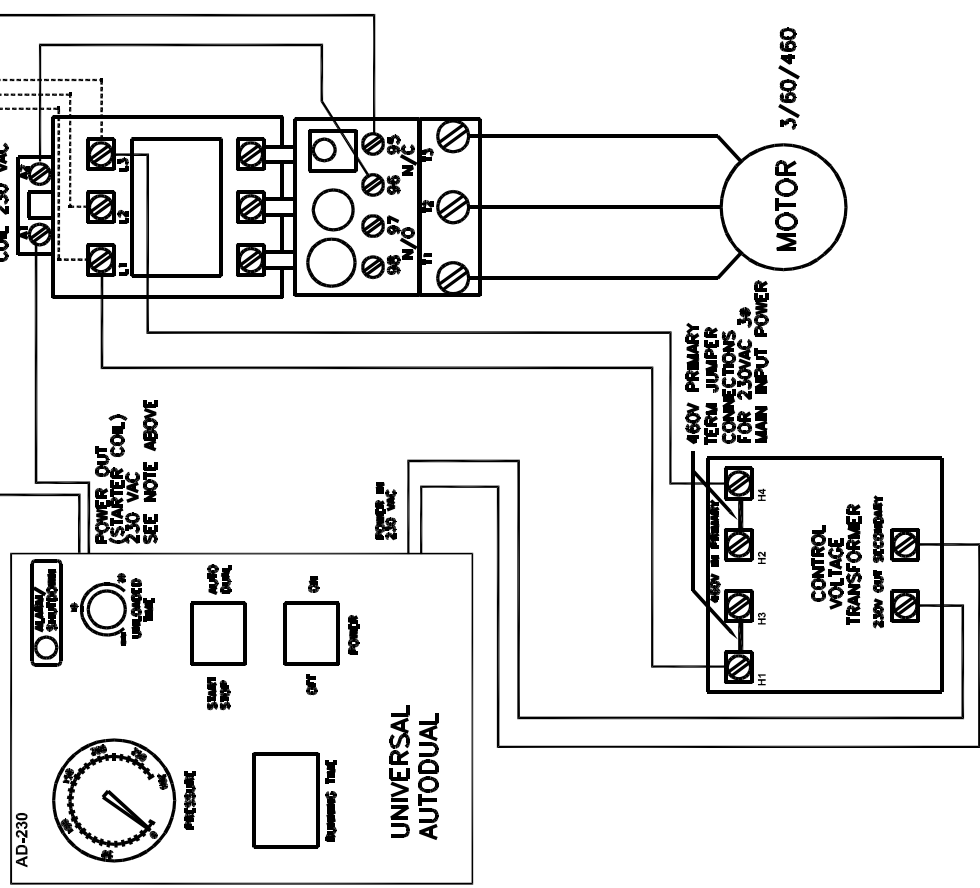
IMPORTANT !!
 STARTER COIL MUST BE SPECIFIED AS
 230 VOLTS A.C.
 MISMATCH OF INPUT VOLTAGE & COIL
 VOLTAGE WILL DAMAGE EQUIPMENT
 AND VOID AUTODUAL AND STARTER WARRANTY

MAIN POWER IN
 TO STARTER
 230VAC 1Ø OR 3Ø



**AUTODUAL WIRING - 230VAC 1Ø OR 3Ø
 230V STARTER COIL VOLTAGE
 W/O CONTROL VOLTAGE TRANSFORMER**

IMPORTANT !!
 STARTER COIL MUST BE SPECIFIED AS
 230 VOLTS A.C.
 MISMATCH OF CONTROL VOLTAGE & COIL
 SETTINGS WILL DAMAGE EQUIPMENT
 AND VOID AUTODUAL AND STARTER WARRANTY
 SEE CONTROL VOLTAGE TRANSFORMER
 JUMPER SETTINGS BELOW



**AUTODUAL WIRING - 460VOLTS/3 PHASE
 W/ 230V STARTER COIL
 WITH CONTROL VOLTAGE TRANSFORMER**