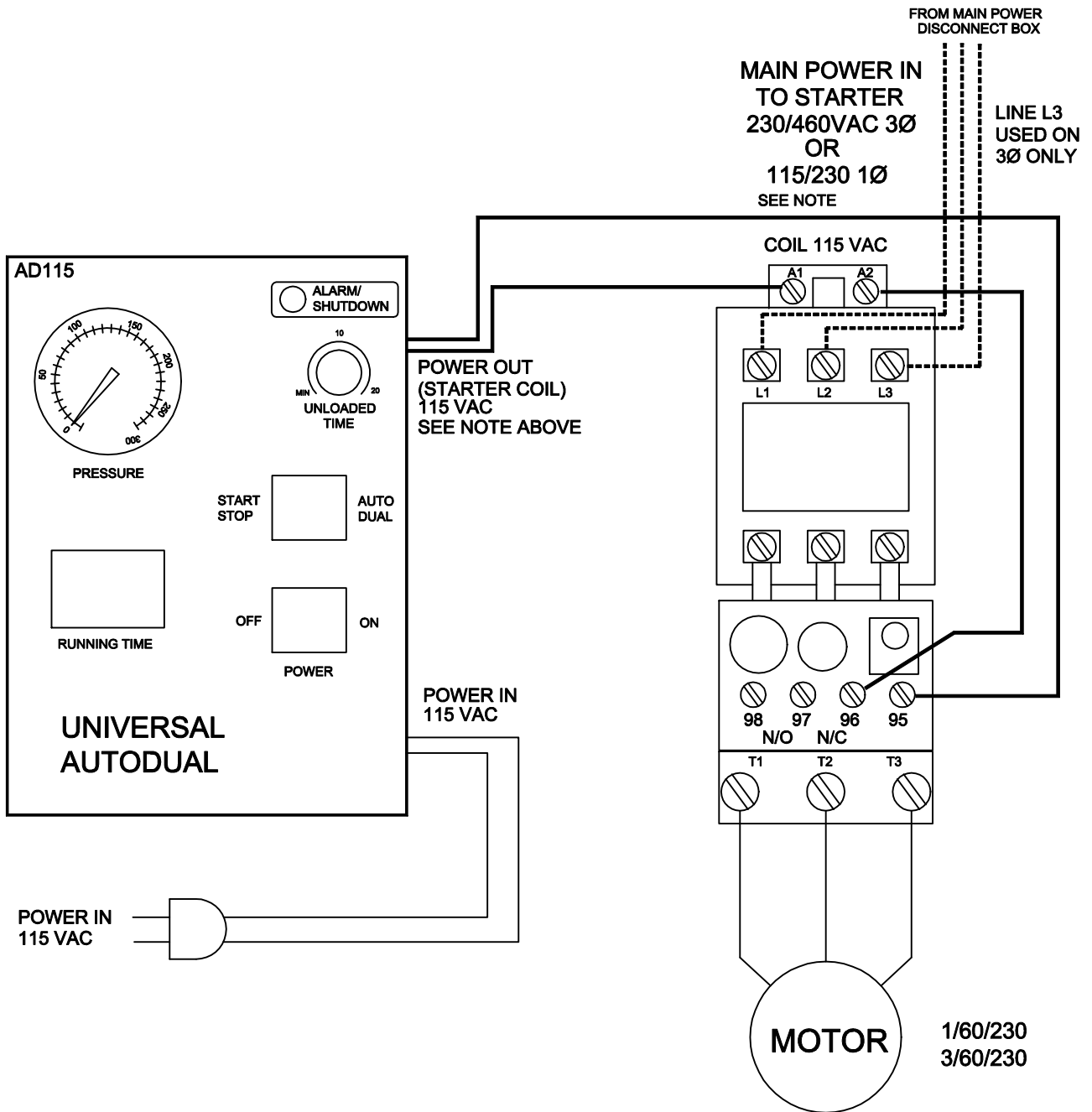


IMPORTANT !!
STARTER COIL MUST BE SPECIFIED AS
115 VOLTS A.C.
MISMATCH OF INPUT VOLTAGE & COIL
VOLTAGE WILL DAMAGE EQUIPMENT
AND VOID AUTODUAL AND STARTER WARRANTY



AUTODUAL WIRING - 115VAC 1Ø OR 3Ø
W/ 115VAC STARTER COIL
W/O CONTROL VOLTAGE TRANSFORMER